

Cleaning devices

Application equipment cleaning



Product families

EcoGun Cleaner M – automatic cleaning device for manual spray guns

EcoBell Cleaner D – automatic cleaning device for **EcoBell2**

EcoGun CapCleaner – automatic cleaning device for automatic spray guns

EcoPaintJet Cleaner – automatic cleaning device for **EcoPaintJet**

EcoBell Cleaner D

Automatic cleaning device for EcoBell2

EcoBell Cleaner D is an efficient and quick solution to perform cleaning in an automatic painting process. The set of nozzles for solvent and air flushing provide reliable cleaning of the shaping air holes and part of the shroud. This ensures long lasting high quality performance in application processes.



CUSTOMER BENEFITS



The atomizer cleaner is suitable to remove water-borne and solvent-borne paints

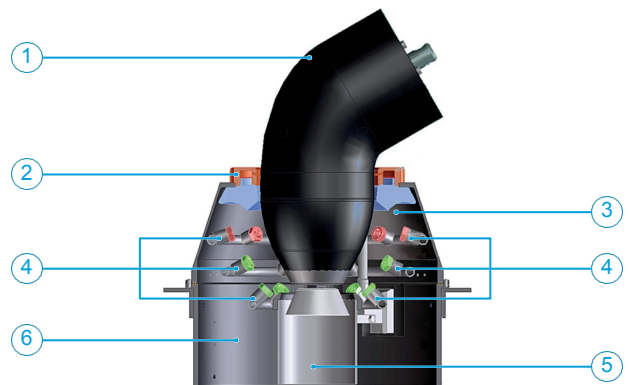
Ensures reliable and long lasting operation of rotary atomizers

Reduce maintenance times

PRODUCT LINE

| EcoBell Cleaner D | |
|------------------------|---|
| Part No. | N05040001 |
| Compatible bells | EcoBell2 |
| Max. fluid pressure | 10 bar (145 psi) |
| Max. air pressure | 8 bar (116 psi) |
| Max. fluid temperature | 60 °C |
| Compatible atomizers | EcoBell2 SI EC (N34150003) EcoBell2 SI DC (N34150004) EcoBell2 SI EC 1K m.RF (N34150005) EcoBell2 SI DC 1K m.RF (N34150006) |
| Field of use | 1K or multicomponent paint applications. |

TECHNICAL ILLUSTRATION



1 Rotating atomizer, 2 Blow air ring, 3 Cleaning container, 4 Cleaning nozzles, 4 Inner tube, 6 Process flow



SELECTED ACCESSORIES

| | Control unit for cleaning device | Bracket ZRG/ LKRG S700 | Adjustment tool teach RG D 2 AA |
|----------|----------------------------------|------------------------|---------------------------------|
| Part No. | N32220006 | M19023576 | W17150009 |