



Applicators

Manual application guns for gluing

Product families

EcoGun 1K MAN – small ready to spray painting robot

EcoGun 1K MAN

Manual applicator for 1K materials

Our **EcoGun 1K MAN** manual applicator is used for manual bonding applications and flexible use cases. The **EcoGun 1K MAN** meets high demands in terms of flexibility and ergonomics. Thanks to standard adjustment options, the application head can be adapted to your requirements, thus ensuring user-friendly operation. This allows high seam quality to be achieved, the ergonomically design of the Handle further reduces fatigue and enables longer working times. We offer an unheated and a heated version for processing different materials.



PRODUCT LINE

EcoGun 1K MAN	
Part No.	N36640001 (cold version) N36640003 (warm version)
Weight	1.6 kg
Material pressure, max.	250 bar
Material connection	G 3/8"
Pneumatic connection	G 1/4", 8mm hose
Inlet air pressure	min. 5 bar, max. 8 bar
Flow, max.	22 ccm/s
Material viscosity	1,000 - 150,000 mPas
Heating - voltage	230V AC / 80W
Application temperature	60°C (140 °F)

NOZZLE SELECTION

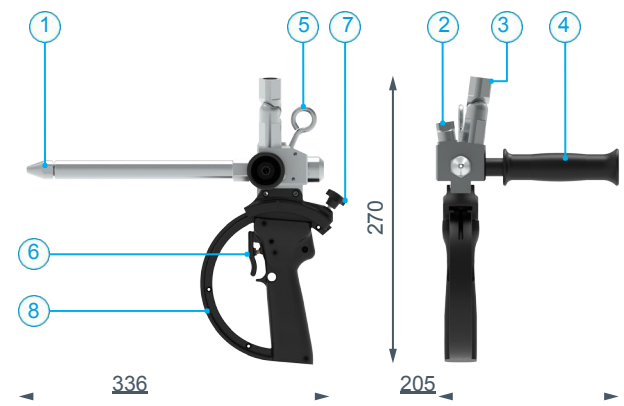
Part No.	Description
M03030144	Adapter
M09080024	Standard nozzle 2.5mm
M09090068	Round bead 1.0mm, CU
M09090066	Round bead 1.5mm, CU
M09090065	Round bead 2.0mm, CU
M09090064	Round bead 2.5mm, CU
M09090063	Round bead 3.0mm, CU
M09090091	Round bead 4.0mm, CU
M09090093	Round bead 5.0mm, CU

Nozzles are sold separately. more nozzle types on request.

CUSTOMER BENEFITS

- [Wide range of possible materials](#)
- [Ergonomic manual application with adaptive](#)
- [Nozzle angle](#)
- [Pneumatic valve supported trigger for light and consistent trigger forces](#)
- [Durable and light Design made of Aluminium and Stainless Steel](#)
- [Material pressure up to 250 bar](#)

TECHNICAL ILLUSTRATION



1 Nozzle (sold separately), 2 Inlet heating, 3 Inlet material, 4 Handle, 5 Hook, 6 Trigger, 7 Aretation knob, 8 Handle with rail

