

Pressure gauges

Fluid pressure measurement

Product families

Pressure gauges – vertical, horizontal, bottom or back connection



Pressure gauges

Vertical, horizontal, bottom or back connection

Dürr has a broad range of gauges for paint material pressure measurement. Whichever you choose you can rely on high quality of these parts.



PRODUCT LINE				
	Pressure gauge 0-25bar D63 G1/4" down VA	Pressure gauge 0-10bar D63 G1/4" back	Pressure gauge 0-10bar D63 G1/8" down VA	Pressure gauge 0-10bar D63 G1/8" back VA
Part No.	W07010198	W07010199	W07010200	W07010201
Range	0-25 bar (0-360 psi)	0-10 bar (0-145 psi)	0-10 bar (0-145 psi)	0-10 bar (0-145 psi)
Connector	G1/4"	G1/4"	G1/8"	G1/8"
Diameter	63 mm (2.5")	63 mm (2.5")	63 mm (2.5")	63 mm (2.5")
Filling liquid	Glycerine	Glycerine	Glycerine	Glycerine
Connector position	Down	Back	Down	Back



	Pressure gauge 0-10bar D63 G1/4" down	Pressure gauge 0-25bar DN25 vertical	Pressure gauge 0-25bar DN25 horizontal	Pressure gauge 0-25bar D63 G1/4" back VA
Part No.	W07010202	W07010223	W07010238	W07010242
Range	0-10 bar (0-145 psi)	0-25 bar (0-360 psi)	0-25 bar (0-360 psi)	0-25 bar (0-360 psi)
Connector	G1/4"	DN25	DN25	G1/4"
Diameter	63 mm (2.5")	101 mm (4")	101 mm (4")	63 mm (2.5")
Filling liquid	Glycerine	Glycerine	Glycerine	Glycerine
Connector position	Down	Vertical	Horizontal	Back



	Pressure gauge 0-16bar D63 G1/8" centr.	Pressure gauge 0-400bar G1/2" - filled	Pressure gauge 0-400bar G1/2"	Pressure gauge 0-400bar G1/2"
Part No.	W07010261	W07010287	W07010293	W07010302
Range	0-16 bar (0-232 psi)	0-400 bar (0-5,800 psi)	0-400 bar (0-5,800 psi)	0-400 bar (0-5,800 psi)
Connector	G1/8"	G1/2"	G1/2"	G1/2"
Diameter	63 mm (2.5")	68 mm (2.5")	68 mm (2.5")	68 mm (2.5")
Filling liquid	Glycerine	Glycerine	None	None
Connector position	Center	Back	Back	Back

Pressure gauges

Material pressure measurement

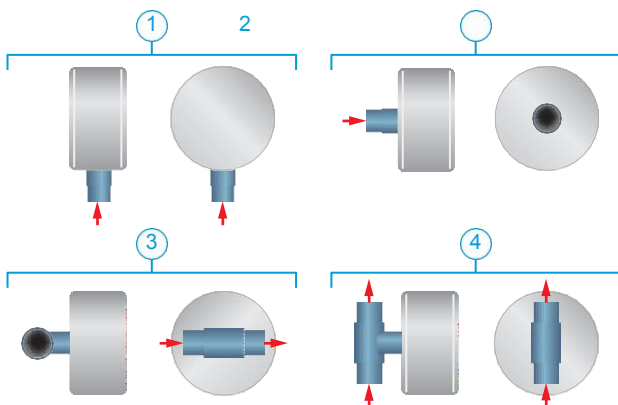


PRODUCT LINE				
	Pressure gauge 0-16bar D63 G1/8"	Pressure gauge 0-250bar D63 G1/4"RADIAL	Pressure gauge 0-250bar D63 G1/4" CENTR.	Pressure gauge 0-400bar D63 G1/2"RADIAL
Part No.	W07010353	W07010354	W07010355	W07010356
Range	0-16 bar (0-232 psi)	0-250 bar (0-3,600 psi)	0-250 bar (0-3,600 psi)	0-400 bar (0-5,800 psi)
Connector	G1/8"	G1/4"	G1/4"	G1/2"
Diameter	68 mm (2.75")	68 mm (2.75")	68 mm (2.75")	68 mm (2.75")
Filling liquid	Glycerine	Glycerine	Glycerine	Glycerine
Connector position	Bottom connection radial	Bottom connection radial	Back center connection	Bottom connection radial



	Pressure gauge 0-500bar D63 G1/2"RADIAL	Pressure gauge 0-500bar D63 G1/2"ZENTR.
Part No.	W07010357	W07010358
Range	0-500 bar (0-7,250 psi)	0-500 bar (0-7,250 psi)
Connector	G1/2"	G1/2"
Diameter	68 mm (2.75")	68 mm (2.75")
Filling liquid	Glycerine	Glycerine
Connector position	Bottom connection radial	Bottom connection radial

TECHNICAL ILLUSTRATION



Pressure gauge connector positions
 1 Down / Bottom / Bottom radial, 2 Back / Back center / Center,
 3 Horizontal, 4 Vertical

CUSTOMER BENEFITS



Silicon free
Wide pressure

range Robust
design

Made from stainless steel

Suitable for ATEX zone 1 and

2 High overload capability