

Filters

Material filtering

Product families

Filters HP – high pressure material filters

Filters IP – low pressure material filters



Filters HP

High pressure material filters

High pressure filters can be used for the filtration of paint or any other kind of fluid. Several different filter sizes are available. The filter design allows a tool free filter maintenance. Up to four devices can be connected (three on the sides, one on the bottom). Due to its robust design the filter can be used in low and high pressure applications with a maximum fluid pressure of up to 500 bar (7,250 psi). Additionally the filter helps to reduce the fluids' pressure pulsation.

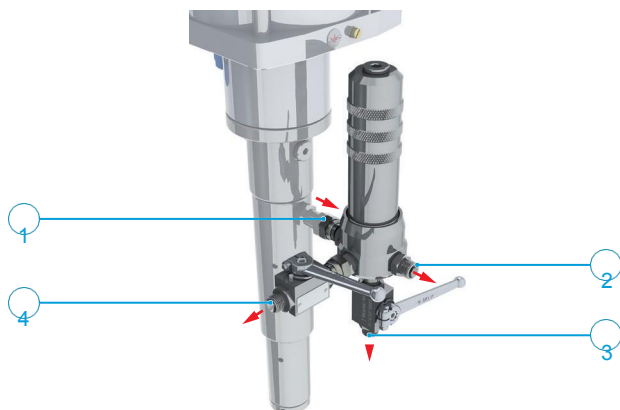


PRODUCT LINE			
	HP filter 500µm 500bar M16/16	HP filter 250µm 500bar M16/16	HP filter 149µm 500bar M16/16
Part No.	N35430015	N35430019	N35430023
Max. fluid pressure	500 bar (7,250 psi)	500 bar (7,250 psi)	500 bar (7,250 psi)
Connector inlet / outlet	M16x1.5 / M16x1.5 (female / male)	M16x1.5 / M16x1.5 (female / male)	M16x1.5 / M16x1.5 (female / male)
Filter type	Screen filter	Screen filter	Screen filter
Filter mesh	500 µm	250 µm	149 µm



	HP filter 74µm 500bar M16/16	HP filter 105µm 500bar M16/16	High pressure filter 400bar G3/4" C-St
Part No.	N35430027	N35430031	N35430030
Max. fluid pressure	500 bar (7,250 psi)	500 bar (7,250 psi)	400 bar (5,800 psi)
Connector inlet / outlet	M16x1.5 / M16x1.5 (female / male)	M16x1.5 / M16x1.5 (female / male)	G3/4" (female)
Filter type	Screen filter	Screen filter	Screen filter
Filter mesh	74 µm	105 µm	500 µm

TECHNICAL ILLUSTRATION



1 Inlet, connected to VP pump, 2 Side outlet: primary spray gun, 3 Bottom outlet, closing valve for pressure release hose, 4 Side outlet, closing valve for secondary spray gun, **Note:** Upside down position ensures pulsation elimination.

CUSTOMER BENEFITS



Suitable for low- and high pressure applications of up to 500 bar (7,250 psi)

Up to four fluid outlets

Tool less filter cartridge exchange

Multiple filtration elements

Reduction of pulsation

Made of stainless steel

Filters HP

High pressure material filters

SPARE FILTER INSERTS		
Part No.	Description	Compatible housings
M13020061	Strainer 30 msh 500 µm 500 bar SST	N35430015, N35430019, N35430023, N35430027, N35430031
M13020062	Strainer 60 msh 250 µm 500 bar SST	N35430015, N35430019, N35430023, N35430027, N35430031
M13020063	Strainer 100 msh 149 µm 500 bar SST	N35430015, N35430019, N35430023, N35430027, N35430031
M13020064	Strainer 200 msh 74 µm 500 bar SST	N35430015, N35430019, N35430023, N35430027, N35430031
M13020066	Strainer 5 µm SST	N35430030
M13020067	Strainer 10 µm SST	N35430030
M13020068	Strainer 20 µm SST	N35430030
M13020069	Strainer 250 µm SST	N35430030
M13020070	Strainer 300 µm SST	N35430030
M13020071	Strainer 500 µm SST	N35430030
M13020073	Strainer 150msh/105µm 500 bar SST	N35430030

Filters LP

Low pressure material filters

low pressure filters can be used for the filtration of paint or any other kind of fluid. There are several filter types available. The low pressure filters are available with either a “bag” or cartridge element.



PRODUCT LINE				
	Filter housing DN25 GR4 T-BAR PN25	Filter housing DN25 10" 28bar	Filter housing DN25 5" 28bar	Filter housing DN20 GR3 T-BAR PN25
Part No.	M16090113	M16090114	M16090115	M16090116
Max. fluid pressure	25 bar (363 psi)	28 bar (406 psi)	28 bar (406 psi)	28 bar (406 psi)
Connector inlet / outlet	EcoTube DN25 - M42x2	EcoTube DN25 - M42x2	EcoTube DN25 - M42x2	EcoTube DN20 - M36x2
Filter type / size	Bag filter / Size 4	Cartridge filter / 10"	Cartridge filter / 5"	Bag filter / Size 3
Filter mesh	5 µm	5 / 30 / 150 µm	5 µm	5 µm
Weight	8.5 kg	3.6 kg	3.2 kg	6.2 kg



	Filter housing DN32 GR4 T-BAR PN25	Filter housing DN25 ECOT20" 28bar cartri	Filter housing DN18 G1/2" 5" 21bar cartr.
Part No.	M16090117	M16090124	M16090126 *
Max. fluid pressure	28 bar (406 psi)	28 bar (406 psi)	21 bar (305 psi)
Connector inlet / outlet	EcoTube DN32 - M48x2	EcoTube DN25 - M42x2	G1/2"
Filter type / size	Bag filter / Size 4	Cartridge filter / 20"	Cartridge filter / 5"
Filter mesh	5 µm	5 µm	5 µm
Weight	8.5 kg	4.6 kg	1.3 kg

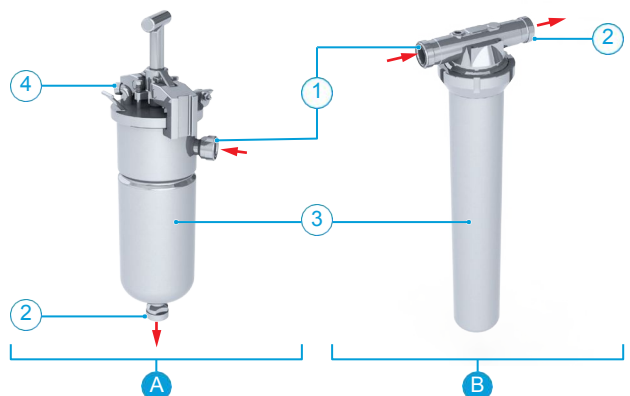
*Attention: This product contains seals made of FKM. When using materials containing solvents, we strongly recommend the use of FEP seals (see spare parts filters). For further technical details please contact us.

CUSTOMER BENEFITS



Suitable for low pressure applications of up to 28 bar (400 psi)
[Cartridge or bag filter inserts.](#)
[Different filtration sieves and meshes](#) Made of stainless steel

TECHNICAL ILLUSTRATION



A Bag filter, B Cartridge filter,
 1 Material inlet, 2 Material outlet, 3 Filter housing,
 4 Pressure gauge or ventilation connector

Filters LP

Low pressure material filters

SPARE FILTER INSETS			
Filter housing	Description (Filter insert in μm)	Material	Part No.
M16090113	5	PP	M13100219
	10	PP	M13100223
	25	PP	M13100233
	50	PP	M13100224
	75	PP	M13100225
	100	PP	M13100230
	150	PP	M13100226
M16090114	5	PP	M13100221
	10	PP	M13100229
	20	PP	M13100271
	30	PP	M13100239
	75	PP	M13100272
	125	PP	M13100228
	150	PP	M13100240
	200	PP	M13100227
M16090115	5	PP	M13100220
	75	PP	M13100273
M16090116	5	PP	M13100218
	50	PP	M13100234
	100	PP	M13100236
M16090117	5	PP	M13100219
	10	PP	M13100223
	25	PP	M13100233
	50	PP	M13100224
	75	PP	M13100225
	100	PP	M13100230
	150	PP	M13100226
M16090124	5	PP	M13100222
M16090126	5	PP	M13100232
	20	PP	M13100252
	40	PP	M13100253
	100	PA	M13100276
	200	PA	M13100277
	250	PA	M13100278
	Packing ring (solvent resistant)	FEP	M08010584