

Pumps

Pump solutions for any kind of application



Product families

EcoPump HP - air operated horizontal piston pumps

EcoPump HPE - electrical operated horizontal piston pumps

EcoPump VP - air operated vertical piston pumps **EcoPump VPS** - air operated vertical shovel plate pumps **EcoPump AD** - air operated diaphragm pumps

EcoPump9 GW - gear wheel dosing pumps

EcoPump Packages - ready to use sets

EcoPump Packages

Ready to use sets

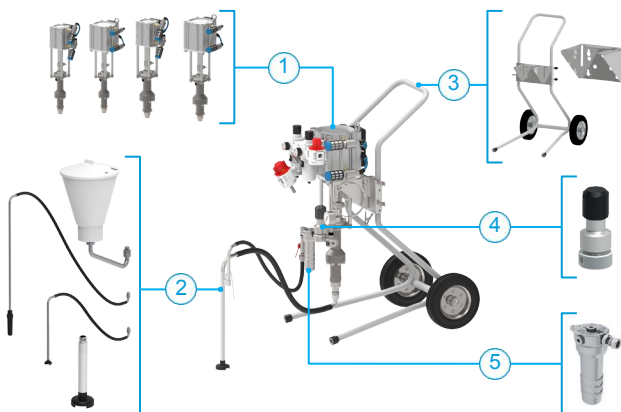
The pump packages are fully assembled portable modules, which are ready to use. The modular design ensures the use in multiple industries including wood finishing and exterior painting. Equipment for high-pressure coating based on **EcoPump2 VP** pumps are available as well as low pressure coating devices which use a line of diaphragm pumps. Variability is ensured by wide configuration options where the selection is made between different assembly modules like carriage, suction type or optional accessory to extend user's comfort.

coming soon



PRODUCT LINE			
	EcoPump2 VP Package	EcoPump AD Package	EcoPump AD Package 2
Part No.	N92130001V	N92120001V	N92120002V
Weight	24.0-90.0 kg	19.0-37.0 kg	19.0-37.0 kg
Pressure category	High pressure	low pressure	low pressure
No. of pumps	5 types	6 types	7 types
Suction units	Direct / hose / feed cup 6 l	Direct / hose / feed cup 6 l	Hose / feed cup 6 l
Racks	Trolley / wall mount	Trolley / wall mount	Trolley / wall mount

TECHNICAL ILLUSTRATION



1 Pumps, 2 Suction modules, 3 Trolley / Wall mount, 4 Pressure regulator (optional), 5 High-pressure filter (optional)

CUSTOMER BENEFITS

- ➔ Modular design for great versatility
- low or high pressure variant
- Filtration on inlet and outlet (optional)
- Flow regulator (optional for AD pumps only)
- Electronic control unit (optional for VP pumps only)
- Wide range of accessories

EcoPump2 VP Package

Modules overview

1 Pumps

Pumps are delivered in different ratios and displacement volumes.

2 Maintenance units

Used for inlet air regulation. Units are attached according to motor type and application method used (Airless, Air-assist).



3 Material feeding

- Direct suction
- Flexible suction
- Feed cup (6 liters)



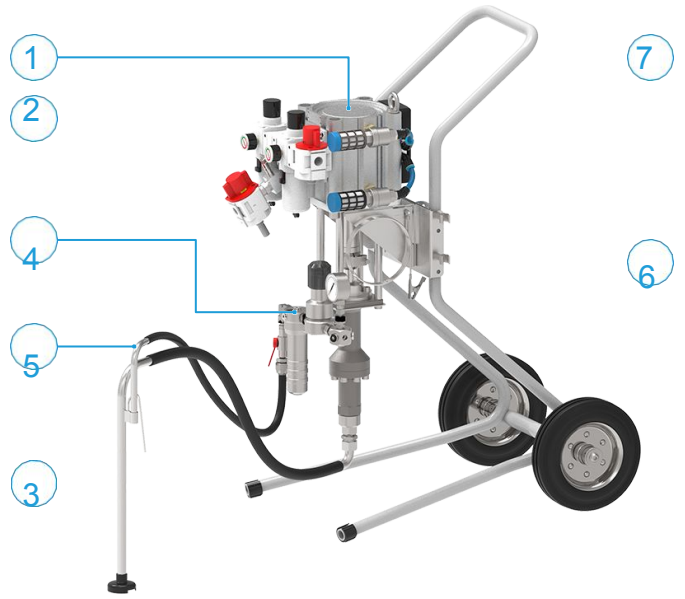
4 High pressure filter

High pressure filter is used for filtration of fluid on pump outlet. It has also a function of pulse damper.



5 Pressure relief units

Used for safe relief of pressure from fluid section. There are different variants depending on package configuration.



6 Pressure regulator

Optional pressure regulator allows precise adjustment of the material on pumps outlet.



7 Racks

- Wall mount (default)
- Trolley



EcoPump2 VP Package

ORDER CODE

EcoPump2 VP Package					
Optio	Cod				
Pump	VP				
EcoPump2 VP 40 230	1				
EcoPump2 VP 80 120	VP				
EcoPump2 VP 80 300	2				
EcoPump2 VP 120 80	VP				
EcoPump2 VP 120 200	3				
Application	VP AI AA				
Airless	4				
Air-Assist	VP				
Suction module	DS				
Direct suction (lance 0.175m)	I05				
lance 0.5m with hose 0.85m	I09				
lance 0.9m with hose 1.5m	F6				
Feed Cup 6l	P				
Trolley	Y				
yes	N				
No	Y				
Pressure regulator	N				
yes	Y				
No	N				
High-pressure filter	Y				
yes	N				
No					



PRODUCT LINE

	EcoPump2 VP 40 230	EcoPump2 VP 80 120	EcoPump2 VP 80 300	EcoPump2 VP 120 80	EcoPump2 VP 120 200
Part No.	N24170034	N24170035	N24170036	N24170037	N24170039
Weight	16.7 kg	19.5 kg	28.5 kg	22.5 kg	31.5 kg
Transmission Ratio	33:1	17:1	44:1	11:1	29:1
Volume/Cycle	40 cc/cycle	80 cc/cycle	80 cc/cycle	120 cc/cycle	120 cc/cycle
Flow Rate max. (durable)	0.8 l/min	1.6 l/min	1.6 l/min	2.4 l/min	2.4 l/min
Material pressure max.	230 bar (3336 psi)	120 bar (1740 psi)	300 bar (4351 psi)	80 bar (1160 psi)	200 bar (2901 psi)
Connection Outlet	G3/8"	G3/8"	G3/8"	G3/8"	G3/8"
Air pressure max.	7.0 bar (87 psi)	7.0 bar (87 psi)	7.0 bar (87 psi)	7.0 bar (87 psi)	7.0 bar (87 psi)
Operating Temp. max.	10 - 60 °C (50 - 140 °F)	10 - 60 °C (50 - 140 °F)	10 - 60 °C (50 - 140 °F)	10 - 60 °C (50 - 140 °F)	10 - 60 °C (50 - 140 °F)

* Cycles for continuous operation and partial load.

EcoPump2 VP Package

New generation of high-pressure spray package

Pumps

- new generation of high pressure pumps
- five types available
- max. pressure range from 80 to 300 bars
- optional ice reduction kit

Maintenance units

- Air Assist or Airless
- optional nozzle cleaner

optional

Pressure regulator

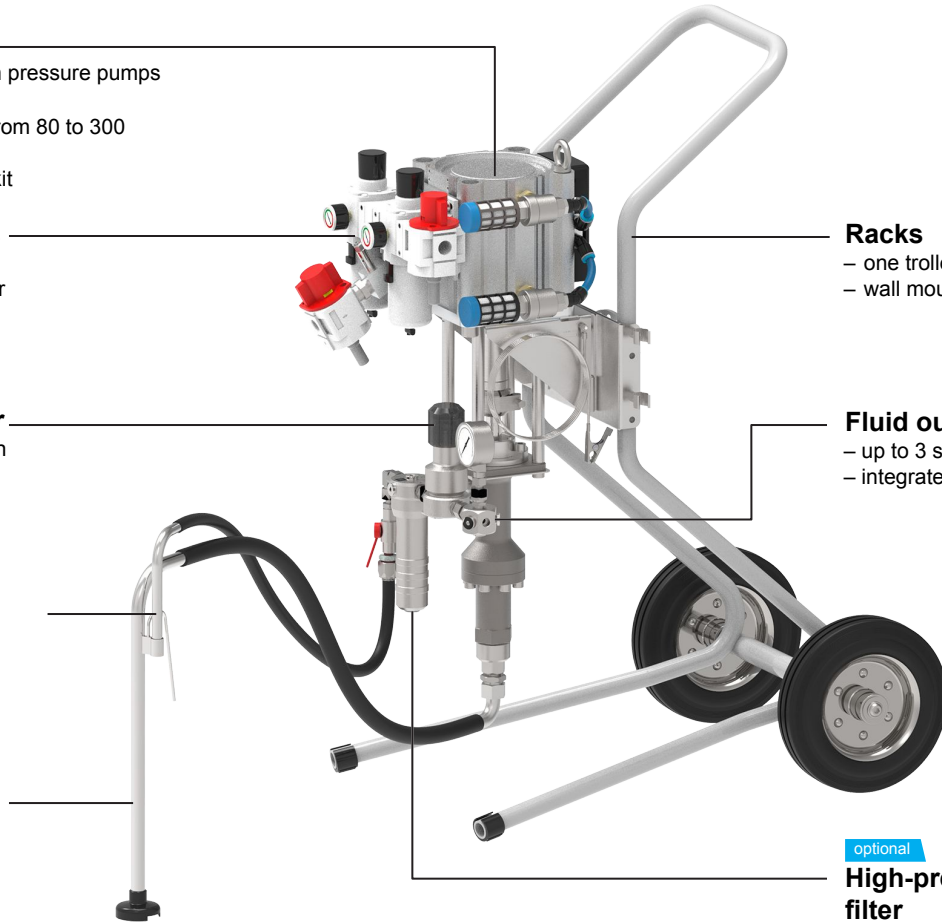
- fine pressure regulation
- pressure gauge

Pressure release unit

- flexible hose
- direct fix outlet

Fluid feeding units

- direct suction
- flexible suction (up to 200 L barrels)
- vessel (6 liter)



Racks

- one trolley fits to all pumps
- wall mount

Fluid outlet manifold

- up to 3 spray guns
- integrated pressure gauge

optional

High-pressure filter

- up to 500 bar
- four outlets available
- elimination of pulsation

VARIANT EXAMPLES



Order code	EcoPump2 VP Package -VP2-AA-DC-Y-Y-Y	EcoPump2 VP Package -VP4-AL-F6L-Y-Y-Y	EcoPump2 VP Package -VP3-AL-F6L-Y-Y-Y	EcoPump2 VP Package -VP3-AA-L05-Y-Y-Y
Pump	EcoPump2 VP 80 120	EcoPump2 VP 120 80	EcoPump2 VP 80 300	EcoPump2 VP 80 300
Application	Air-Assist	Airless	Airless	Air-Assist
Suction module	Direct suction	Feed Cup 6l	Feed Cup 6l	lance 0.5m with hose 0.85m
Trolley	yes	yes	No	yes
Pressure regulator	yes	yes	yes	yes
High-pressure filter	yes	yes	yes	yes

EcoPump AD Package 2

Modules overview

1 Diaphragm pumps

Air operated diaphragm pumps are available in different design configurations.

2 Maintenance units

Used for inlet air regulation. Regulator can be also used to control air pressure for connected spray gun.

3 Material feeding

3 Material feeding

- Direct suction
- Flexible suction
- Feed cup (6 liters)



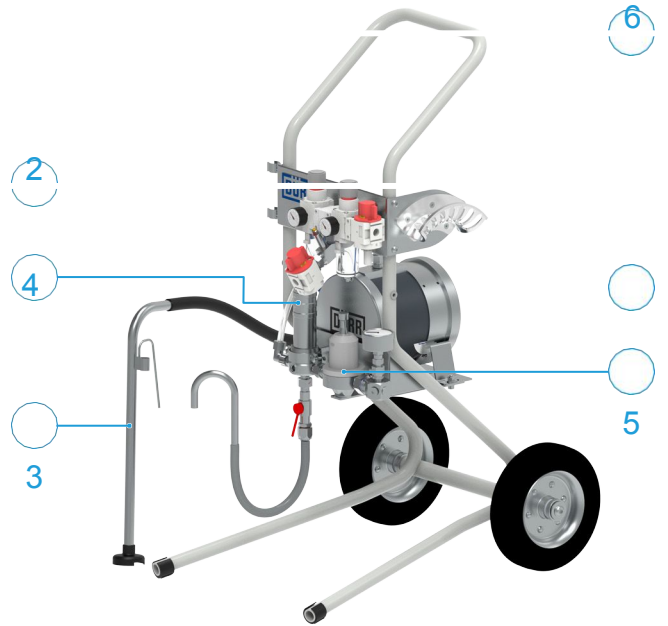
4 High pressure filter

High pressure filter is used for filtration of fluid on pump outlet. It has also a function of pulse damper.



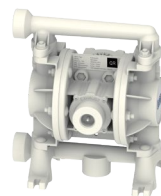
5 Fluid regulator

Optional fluid regulator allows to adjust the outlet material pressure precisely. May be optionally equipped with pressure gauge.



6 Racks

- Trolley
- Wall mount



AVAILABLE PUMPS

	EcoPump AD 72 8,3 Ace PTFE 1/4"	EcoPump AD 83 6,9 Ace PTFE 3/8"	EcoPump AD 150 6,9 SST PTFE 1/2"
Part No.	N24140005	N24140006	N24140007
Displacement	72 cc/cycle	83 cc/cycle	150 cc/cycle
Max. fluid pressure	8.6 bar (125 psi)	6.9 bar (100 psi)	6.9 bar (100 psi)
Max. flow rate durable	6.5 l/min (1.72 gal/min)	13 l/min (3.43 gal/min)	16 l/min (4.22 gal/min)
Parts contacted by media	Acetal, PTFE	Acetal, PTFE	Stainless steel, PTFE

EcoPump AD Package 2



AVAILABLE PUMPS

	EcoPump AD 150 6,9 Acetal/Teflon 1/2"	EcoPump AD 150 6,9 AI PTFE/Teflon 1/2"	EcoPump AD 150 21 SST 3/8"
Part No.	N24140008	N24140009	N24140013
Displacement	150 cc/cycle	150 cc/cycle	150 cc/cycle
Max. fluid pressure	6.9 bar (100 psi)	6.9 bar (100 psi)	21 bar (305 psi)
Max. flow rate durable	16 l/min (4.22 gal/min)	16 l/min (4.22 gal/min)	3.0 l/min (0.78 gal/min)
Parts contacted by media	Acetal, PTFE	Stainless steel, AI, PTFE	Stainless steel, POM

ORDER CODE

EcoPump AD Package 2	
Option	Code
Pump	
EcoPump AD 72 8 ACE 1/4"	AD01
EcoPump AD 83 6,9 ACE PTFE 3/8"	AD02
EcoPump AD 150 6,9 SST PTFE 1/2"	AD03
EcoPump AD 150 7 ACE 1/2"	AD04
EcoPump AD 150 7 AIU 1/2"	AD05
EcoPump AD 150 21 SST 3/8"	AD06
EcoPump AD 150 21 SST 3/8" SV	AD07
Suction module	
lance 0.5m with hose 0.85m	I05
No lance 0.9m with hose 1.5m	I09
Feed cup 6l	F6P
Trolley	
yes	Y
No	N
Pressure regulator	
yes	Y
No	N
Filter	
yes	Y
No	N

VARIANT EXAMPLES



- Main configuration options**
- EcoPump AD 72 8 ACE 1/4"
 - Trolley
 - Feed cup 6l
 - Filter
 - Pressure regulator

Order code
-AD01 -F6P -y -y -y



- Main configuration options**
- EcoPump AD 150 21 SST 3/8" SV
 - Trolley
 - lance 0.5m with hose 0.85m
 - Filter
 - Pressure regulator

Order code
-AD07 -I05 -y -y -y



- Main configuration options**
- EcoPump AD 150 7 ACE 1/2"
 - Wall mount
 - Feed cup 6l
 - Filter
 - Pressure regulator

Order code
-AD04 -F6P -N -y -y

Other possible variants are available via online product configurator