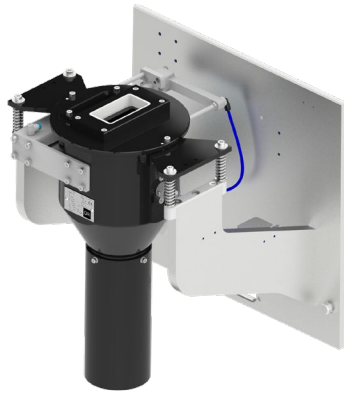


# EcoPaintJet Cleaner

## Automatic cleaning device for EcoPaintJet

EcoPaintJet Cleaner is an efficient and quick solution to perform cleaning in an automatic painting process. The set of nozzles for solvent and air flushing provide reliable cleaning of the nozzle plate of the EcoPaintJet applicator. This ensures long lasting high quality performance in application processes.



### CUSTOMER BENEFITS

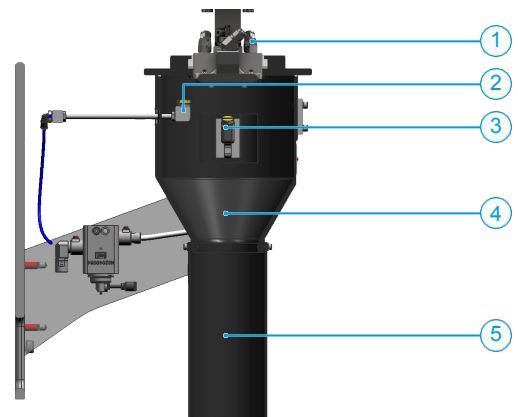


- The applicator cleaner is suitable to remove water-borne and solvent-borne paints
- Ensures reliable and long lasting operation of applicator
- Reduce maintenance times

### PRODUCT LINE

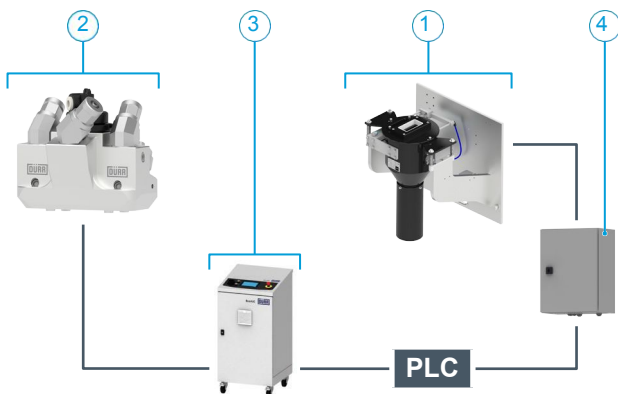
EcoPaintJet Cleaner	
Part No.	N05060001
Compatible applicators	EcoPaintJet
Max. fluid pressure	3 bar (43 psi)
Max. air pressure	2 bar (29 psi)
Connector air	hose 4x6
Connector fluid	hose 6x9
Cleaning agent consumption per sequence	20-50 ml
Field of use	1K or multicomponent paint applications.

### TECHNICAL ILLUSTRATION



1 EcoPaintJet, 2 Drying nozzle, 3 Cleaning nozzle, 4 Cleaner housing, 5 Outlet tube

### INTEGRATION SCHEME



1 EcoPaintJet Cleaner, 2 EcoPaintJet, 3 Application controller, 4 Pneumatic control unit, PLC Master painting process control system,

### SELECTED ACCESSORIES



Bracket ZRG/LKRG S700	
Part No.	M19023576