

Cleaning devices

Application equipment cleaning



Product families

EcoGun Cleaner M – automatic cleaning device for manual spray guns

EcoBell Cleaner D – automatic cleaning device for **EcoBell2**

EcoGun CapCleaner – automatic cleaning device for automatic spray guns

EcoPaintJet Cleaner – automatic cleaning device for **EcoPaintJet**

EcoGun CapCleaner

Automatic cleaning device for automatic spray guns

EcoGun CapCleaner is an efficient and quick solution to perform cleaning in an automatic painting process. The set of nozzles for solvent and air flushing provide reliable cleaning of the air cap. This ensures long lasting high quality performance in application processes. In comparison to brush-based cleaning devices, the EcoGun CapCleaner is not negatively affected by drying paint, as there is no direct contact with the brush or other components.



CUSTOMER BENEFITS



The cap cleaner is suitable to remove water-borne and solvent-borne paints

Ensures reliable and long lasting operation of spray gun air caps

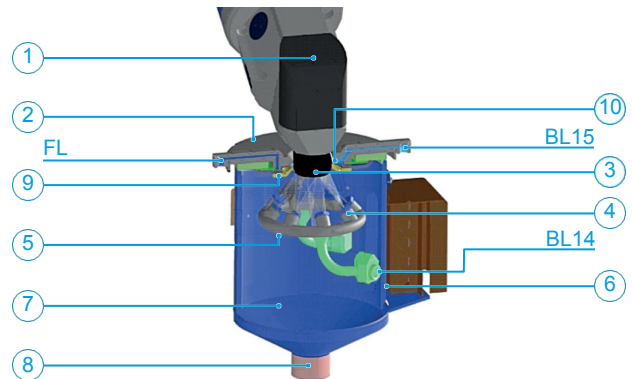
Reduce maintenance times

PRODUCT LINE

	EcoGun CapCleaner
Part No.	N05310001
Compatible spray guns*	EcoGun AS AUTO EcoGuns AS AUTO pro (M30010375) EcoGun AA AUTO (M30010388)
Max. fluid pressure	10 bar (145 psi)
Max. air pressure	8 bar (116 psi)
Max. fluid temperature	60 °C
Field of use	1K or multicomponent paint applications.

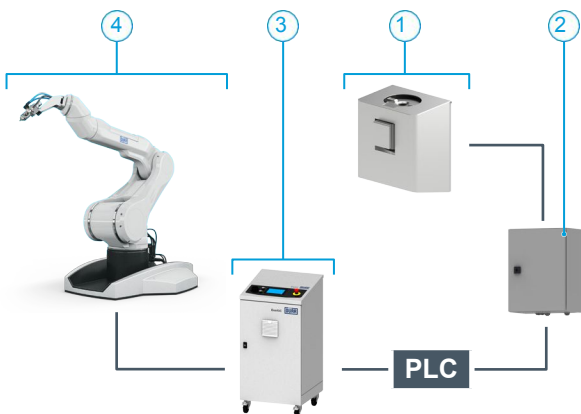
* Other spray gun models on request.

TECHNICAL ILLUSTRATION



1 EcoGun air atomizer, 2 Covering, 3 Air cap with union nut, 4 Blow pipe (BL 14), 5 Solvent distributor ring with nozzles (V11), 6 Ventilation boring, 7 Tank, 8 Drain, 9 Annular gap BL 15, 10 Sealing collar, FL Blocking air connection, BL14 Blowing air connection, BL15 Blowing air connection

INTEGRATION SCHEME



1 EcoGun CapCleaner, 2 Control unit for cleaning device, 3 Application controller, 4 Painting robot, PLC Master painting process control system,



SELECTED ACCESSORIES

	Control unit for Cleaning device	Bracket ZRG/ LKRG S700	Adjustment tool Teach RG D 2 AA
Part No.	N32220006	M19023576	W17150009