



# Rotary atomizers

State of the art paint application



## Product families

EcoBell2 SI - rotary atomizers external or direct charge



# EcoBell2 SL

## Rotary atomizers with external or direct charge

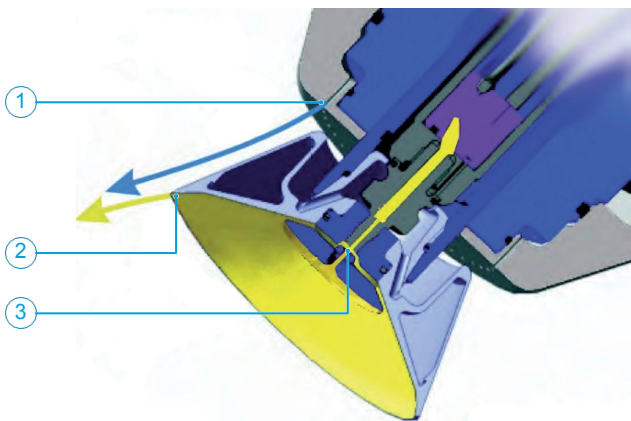
EcoBell2 SL is an electrostatic charged, state of the art rotary atomizer. Unique design and high transfer efficiency make this device to the perfect choice for everyone who is requiring top quality results. The very fine and smooth atomization is suitable even for the highest quality requirements and is moreover characterized by a transfer efficiency that is typically way higher than for pneumatic atomizers. Water-borne, solvent-borne as well as UV-paints can be processed, no matter if they contain metallic flakes or not.



PRODUCT LINE				
	EcoBell2 SL EC	EcoBell2 SL DC *	EcoBell2 SL EC 1K m.RF	EcoBell2 SL DC 1K m.RF *
Part No.	N34150003	N34150004	N34150005	N34150006
Charge	External	Direct + No Charge	External	Direct + No Charge
Technical highlights	Rotary atomizer with dual shaping air technology, one main needle. External electrodes to charge the atomized paint.	Rotary atomizer with dual shaping air technology, one main needle. Paint charged internally.	Rotary atomizer with dual shaping air technology, one main needle. External electrodes to charge the atomized paint. Dump valve.	Rotary atomizer with dual shaping air technology, one main needle. Paint charged internally. Integrated dump valve. Dump valve.
Field of use	Suitable for water-borne applications. Galvanic separation to the paint supply is not required.	Suitable for solvent-borne, water-borne and UV-paint applications as well as for non charged applications.	Suitable for water-borne applications. Galvanic separation to the paint supply is not required.	Suitable for solvent-borne, water-borne and UV-paint applications as well as for non charged applications.

\* electrical conductivity of 0.005 to 0.038  $\mu\text{S}/\text{cm}$  are suitable (directly electrically charged (60kV)), Ransburg resistance from 200 to 1600k $\Omega$

### TECHNICAL ILLUSTRATION



1 Shaping air flow, 2 Paint atomization, 3 Paint supply

### CUSTOMER BENEFITS

- ➔
Two independently controllable shaping airs and special designed bell cup allows maximum spray pattern flexibility
- External high voltage generator with high capacity ensures a stable high voltage supply even under the harshest conditions
- all rotary atomizers are rated for aTEX zone 1
- Suitable bell cups from aluminium and titanium for every kind of application
- Well proven quality, reliability and robustness in thousands of applications
- High efficiency turbine for a very low compressed air consumption
- Isolated paint supply is not needed for external charge applications

# EcoBell2 SL

Rotary atomizers with external or direct charge



## BELL CUPS

	D52 O.R. VS-D40	D52 GR0,4 VS-D40	55 GR0,4 VS-D22 EcoBell A	D55 STK VS-D22 EcoBell AS
Part No.	N16310020	N16310021	N16310004	N16310005
Compatible atomizers	EcoBell2 SI DC	EcoBell2 SI DC	EcoBell2 SI EC	EcoBell2 SI EC
Diameter	52 mm	52 mm	55 mm	55 mm
Serration	None	yes	yes	None
Field of use	Primers, base coats.	Clear coats, metallic paints.	Clear coats, metallic paints.	Primers, base coats.

Complete list of accessories can be found in the webshop.



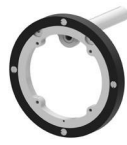
## NOZZLES

Part no.	Description
M09020136	Nozzle d=0.5mm
M09020137	Nozzle d=0.65mm
M09020143	Nozzle d=0.7mm
M09020138	Nozzle d=0.8mm
M09020144	Nozzle d=0.9mm
M09020139	Nozzle d=1.0mm
M09020145	Nozzle d=1.1mm

Part no.	Description
M09020140	Nozzle d=1.2mm
M09020171	Nozzle d=1.3mm
M09020141	Nozzle d=1.4mm
M09020760	Nozzle d=1.5mm
M09020761	Nozzle d=1.7mm
M09020762	Nozzle d=1.9mm

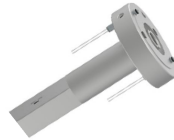
# EcoBell2 SL

## Rotary atomizers with external or direct charge



### ACCESSORIES - EcoBell2 SL

	Add-on unit atomizer 60° with lock	Atomizer seat L140 EcoBell	Hand earthing stick	Set of installation tools
Part No.	N34850018	N44050010 (DC) / N44050015 (EC)	N65040001	W02100112 (DC) / W02100113 (EC)
Compatible atomizers	<b>EcoBell2 SI DC / EC</b>	<b>EcoBell2 SI DC / EC</b>	<b>EcoBell2 SI DC / EC</b>	<b>EcoBell2 SI DC / EC</b>
Usage	Robotic installations.	Fixed or reciprocator installations.	Discharging of <b>EcoBell</b> before maintenance.	Tool set to maintain <b>EcoBell</b> atomizer (f. n34150003 – n34150006).



	Special cutter	Installation tool assembly EcoBell2	HT connection cpl.10m external charging	Connection cable flange package HT 10m
Part No.	W12600018	W02020255	M01530016	E09060505
Compatible atomizers	<b>EcoBell2 SI DC / EC</b>	<b>EcoBell2 SI DC</b>	<b>EcoBell2 SI EC</b>	<b>EcoBell2 SI DC</b>
Usage	Tool designed to clean dried paint from the M18 thread.	Allows to make atomizer maintenance works outside of application position (e.g. robot or reciprocator).	—	—



	Connection cable flange package gr. 10m	Flange Package EB2 SL M.RF M.WAR EWS L10m	Flange package EcoBell2 SL WAR EWS L10m
Part No.	E09060503	N34770112	N34770092
Compatible atomizers	<b>EcoBell2 SI EC</b>	<b>EcoBell2 SI DC / EC with return</b>	<b>EcoBell2 SI DC / EC no return</b>
Usage	—	10 m long hose kit to connect rotary atomizer with control unit ( <b>EcoAUC</b> )	10 m long hose kit to connect rotary atomizer with control unit ( <b>EcoAUC</b> )

Complete list of accessories can be found in the webshop.